

Mist Separator

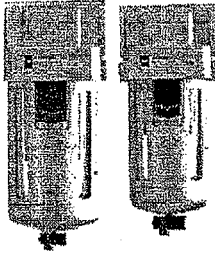


AFM2000/3000/4000

NAFM4000-204

Standard Specifications

Model	AFM2000	AFM3000	AFM4000	AFM4000-06
Port size	1/8 1/4	1/4 3/8	1/4 3/8 1/2	3/4
Fluid	Air			
Proof pressure	1.5MPa			
Max. operating pressure	1.0MPa			
Min. operating pressure	0.05MPa			
Ambient and fluid temperature	-5 to 60°C (No freezing)			
Flow rate z/min (ANR) (1)	200	450	1100	1100
Filtration	0.3µm (95% particle size collection)			
Oil mist density at the exhaust side	Max. 1.0mg/Nm³ (= 0.8ppm) (2)			
Element life expectancy	For two years or when pressure drop reaches 0.1MPa			
Bowl material	Polycarbonate			
Bowl capacity (cm³)	8	23	45	45
Weight (kg)	0.19	0.29	0.54	0.58
Accessory (standard)	Bowl guard			



AFM4000 AFM3000

JIS Symbol



Note 1) At supply pressure 0.7MPa. Flow rate is subject to the primary side pressure.
 Note 2) When oil mist density of the compressor exhaust is 30mg/cm³ (ANR).

Accessory (optional) Part No.

Description	Model	Part No.			
		AFM2000	AFM3000	AFM4000	AFM4000-06
Bracket assembly (1)		B240A	B340A	B440A	B540A
Float style (2) auto drain	N.O.	—	AD43	AD44	AD44
	N.C.	—	AD53	AD54	AD54
Pressure differential auto-drain (3)		AD62	—	—	—

Note 1) Bracket with two mounting threads.
 Note 2) Min. operating pressure: 0.1MPa (N.O.), 0.15MPa (N.C.)
 Note 3) Min. pressure differential: 0.01MPa

How to Order

AFM 30 00 — 03 B — 2R

Mist separator

Body size

20	1/8
30	3/8
40	1/2

Thread

	Rc(PT)
N	NPT
F	G(PF)

Port size

01	1/8
02	1/4
03	3/8
04	1/2
05	3/4

Accessory

Symbol	Description	Applicable model
B	Bracket	AFM2000 to AFM4000-06
C	Float style auto-drain (N.C.)	AFM3000 to AFM4000-06
D	Press. differential auto drain	AFM2000
	Float style auto drain (N.O.)	AFM3000 to AFM4000-06

Option

2	Metal bowl
6	Nylon bowl
B	Metal bowl with level gauge (AFM3000/AFM4000 only)
C	With bowl guard (AFM2000 only)
J	Drain guide Rc(PT) 1/4 (AFM3000/AFM4000 only)*
R	Flow direction: From right to left
W	With drain cock and barb fitting (AFM3000/4000 only) (For ø6/ø4 nylon)

*When specifying more than one symbol, indicate them alphabetically.
 Ex.) 2R
 *Without valve function

Combination Table/Accessory and Option

⊙ Combinable ⊞ Impossible ○ Depends on the model

Accessory/Option	Sym	Auto drain										Option			Applicable mist separator				
		D	D	C	2	6	B	C	J	R	W	A	J	R	W	AFM2000	AFM3000	AFM4000	
Pressure differential auto-drain	D				⊙	⊙				⊙									
Float style auto drain (N.O.)	D				⊙	⊙													
Float style auto drain (N.C.)	C				⊙	⊙													
Metal bowl	-2	⊙	⊙	⊙															
Nylon bowl	-6	⊙	⊙	⊙															
Metal bowl with level gauge	-B	⊙	⊙	⊙															
Bowl guard	-C	⊙																	
Drain guide Rc(PT) 1/4	-J																		
Flow direction: From right to left	-R	⊙	⊙	⊙	⊙	⊙	⊙	⊙	⊙	⊙	⊙	⊙	⊙	⊙	⊙	⊙	⊙	⊙	⊙
Barb fitting on One-touch drain cock	-W																		

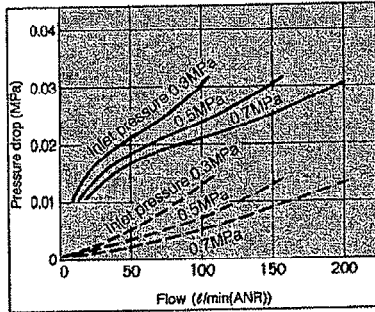
- AC
- AV
- AU
- AF**
- AR
- IR
- VE
- AW
- AMR
- AWM
- AWD
- ITV
- VBA
- VE
- VY
- G
- AL

AFM2000/3000/4000

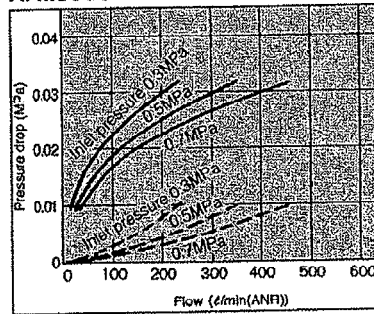
Flow Characteristics

Element with oil-saturated initial condition

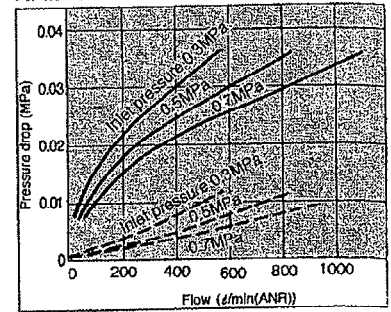
AFM2000



AFM3000



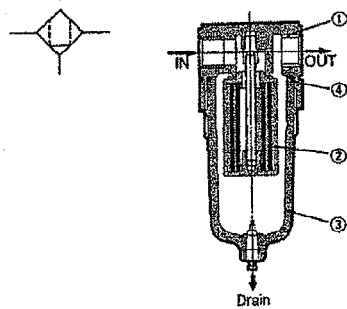
AFM4000



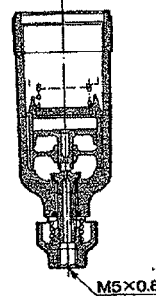
Construction

JIS Symbol

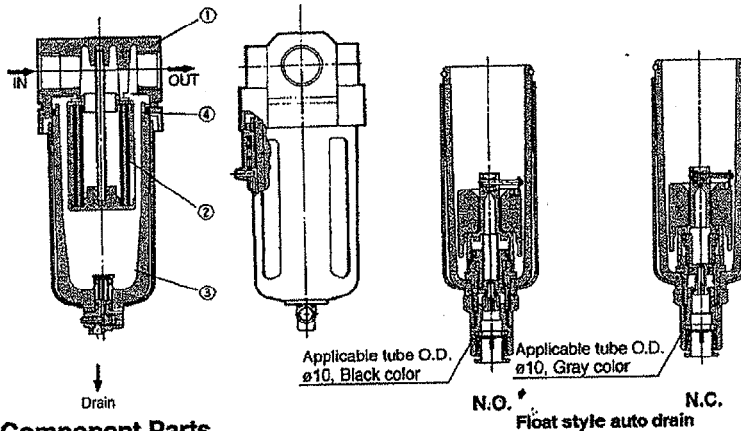
AFM2000



Pressure differential auto drain



AFM3000/4000



Component Parts

No.	Description	Material	Note
①	Body	Zinc die cast	Platinum silver paint

Replacement Parts

No.	Description	Material	Part No.		
			AFM2000	AFM3000	AFM4000
②	Element assembly	—	630611	630617	630623
③	Bowl assembly (1)	Polycarbonate	C200F	C300F	C400F
④	Bowl O ring	NBR	11297	111512	111636

Note 1) A bowl guard (material: SPCE) is included in the bowl assembly for AFM3000 to AFM4000-05.

⚠ Precautions

- Be sure to read before handling. Refer to p.0-26 and 0-27 for Safety Instructions and common precautions on the products mentioned in this catalog and refer to p.1.0-1 and 1.0-2 for precautions on every series.

Maintenance

⚠ Warning

- ① Replace the filter element within 2 years of operation or before the pressure drop reaches 0.1 MPa. Failure to observe this precaution could damage the filter element.

Designing of Layout

⚠ Caution

- ① Design the layout so that this product is installed in a location that is not susceptible to pulsation. The filter element could become damaged if the internal/external pressure difference exceeds 0.1 MPa.

Selection

⚠ Caution

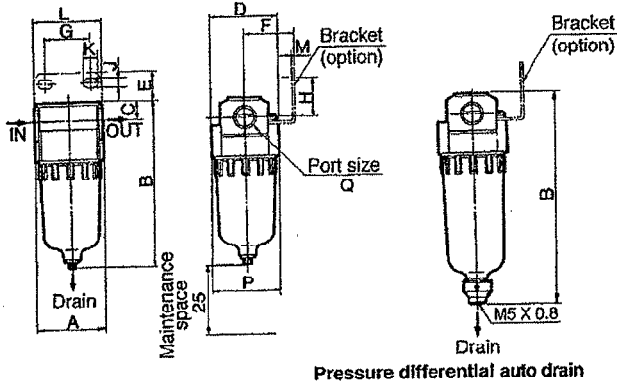
- ① Do not apply airflow that is greater than the rated flow rate. If airflow that is greater than the rated flow rate is applied even momentarily, it could cause the drainage and oil to splatter from the secondary side or damage the equipment.
- ② Do not use with low air pressure (blower). The cleaning equipment, which operates at specific minimum operating pressure accordance with the equipment to be used, designed to be used exclusively with compressed air. Using it below the minimum operating pressure could lower its performance or cause a malfunction. If must be used under such conditions due unavoidable circumstances, contact SM beforehand.

Mist Separator **AFM2000/3000/4000**

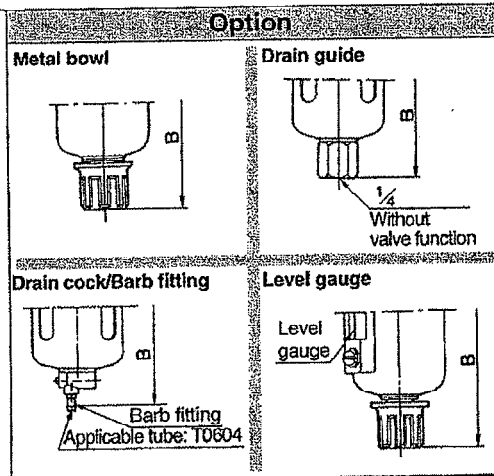
Dimensions



AFM2000

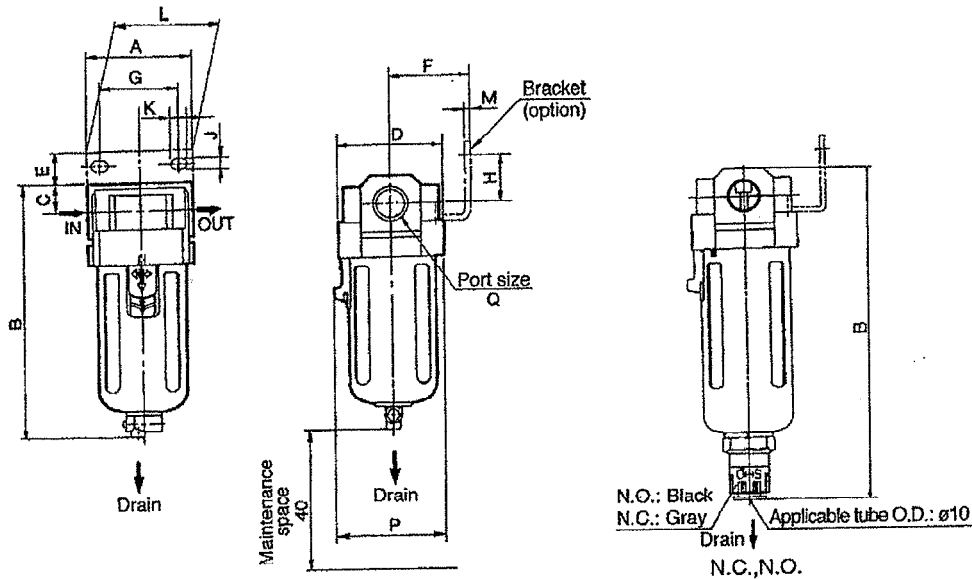


Pressure differential auto drain



Model	Barb fitting	Drain guide	Metal bowl	Metal bowl with level gauge
AFM2000	—	—	97.5	—
AFM3000	137.5	135	142	162
AFM4000	173.5	171	178	198
AFM4000-06	177.5	175	182	202

AFM3000/4000



Float style auto drain

Model	Port size Q	A	B	C	D	Bracket mounting dimensions								Auto-drain		
						E	F	G	H	J	K	L	M	P	Float B	Press. Diff. B
AFM2000	1/8, 1/4	40	97.5	11	40	17	30	27	22	5.4	8.4	40	2.3	40	—	120.5
AFM3000	1/4, 3/8	53	129	14	53	16	41	40	23	6.5	8.4	53	2.3	56	170	—
AFM4000	1/4, 3/8, 1/2	70	165	18	70	17	50	54	26	8.5	10.5	70	2.3	73	206	—
AFM4000-06	3/4	75	169	20	70	14	50	54	25	8.5	10.5	70	2.3	73	210	—

AFM2000 — SAC2000, #1
 AFM3000 — SAC2503, #1
 AFM4000 — SAC4000, #1
 AFM4000-06 — SAC4006, #1

- AC
- AV
- AU
- AF**
- AR
- IR
- VEX
- AW
- AMR
- AWM
- AWD
- ITV
- VBA
- VE
- VY
- G
- AL